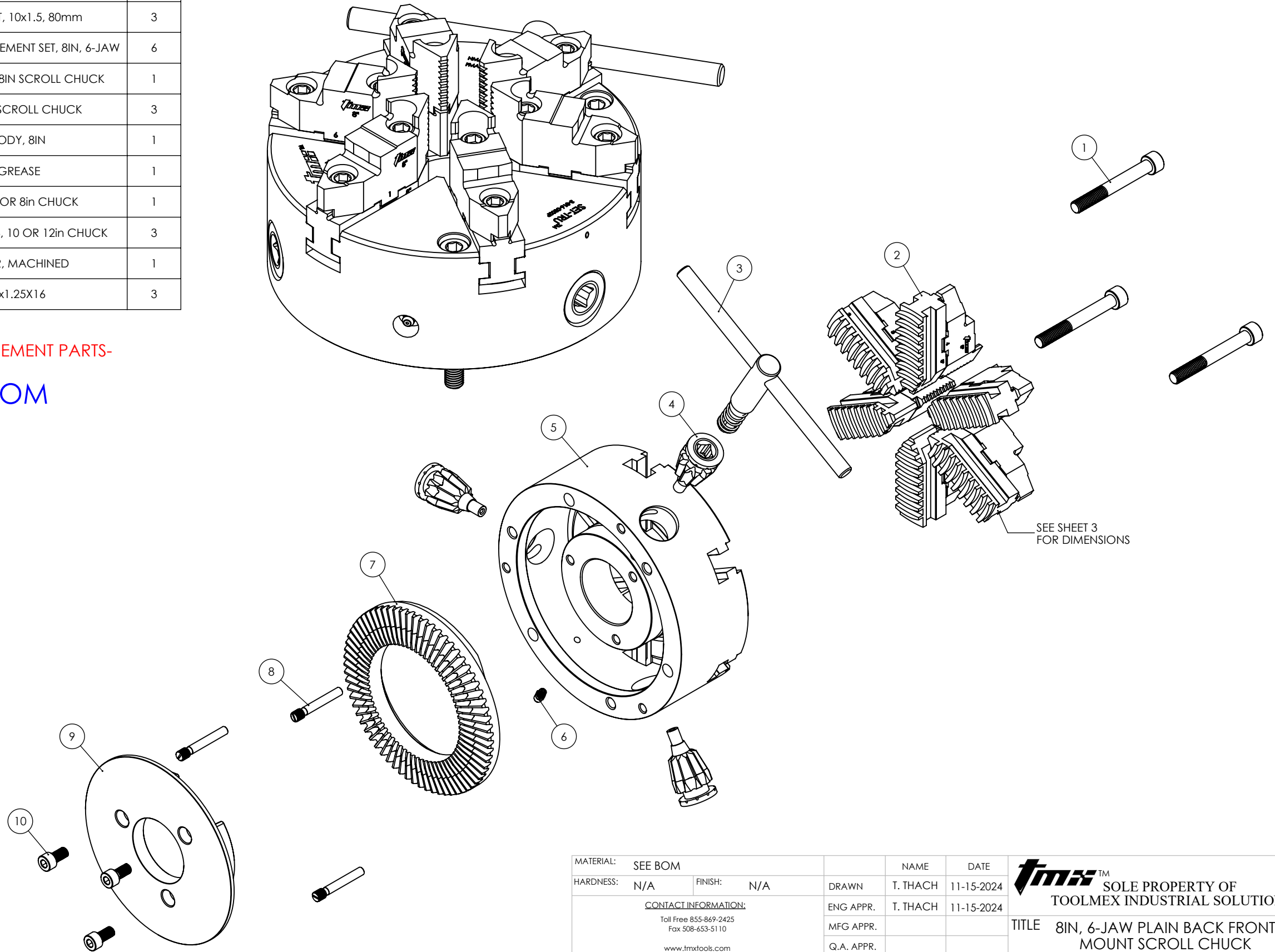


ITEM NO.	PART NUMBER	DESCRIPTION	QTY
1	3-897-10080	MOUNTING BOLT, 10x1.5, 80mm	3
2	3-891-608P	FULL OEM JAW REPLACEMENT SET, 8IN, 6-JAW	6
3	3-889-008P	WRENCH FOR 6IN & 8IN SCROLL CHUCK	1
4	3-886-308P	PINION FOR 8in SCROLL CHUCK	3
5	C-CK8-BDY6JFM	CHUCK BODY, 8IN	1
6	3-809-906P	FITTING, GREASE	1
7	3-887-308P	SCROLL PLATE FOR 8in CHUCK	1
8	3-888-910P	PINION SCREW FOR 8, 10 OR 12in CHUCK	3
9	C-CK8-COVER	PLATE, COVER, MACHINED	1
10	3-899-310P	SHCS, M8x1.25X16	3

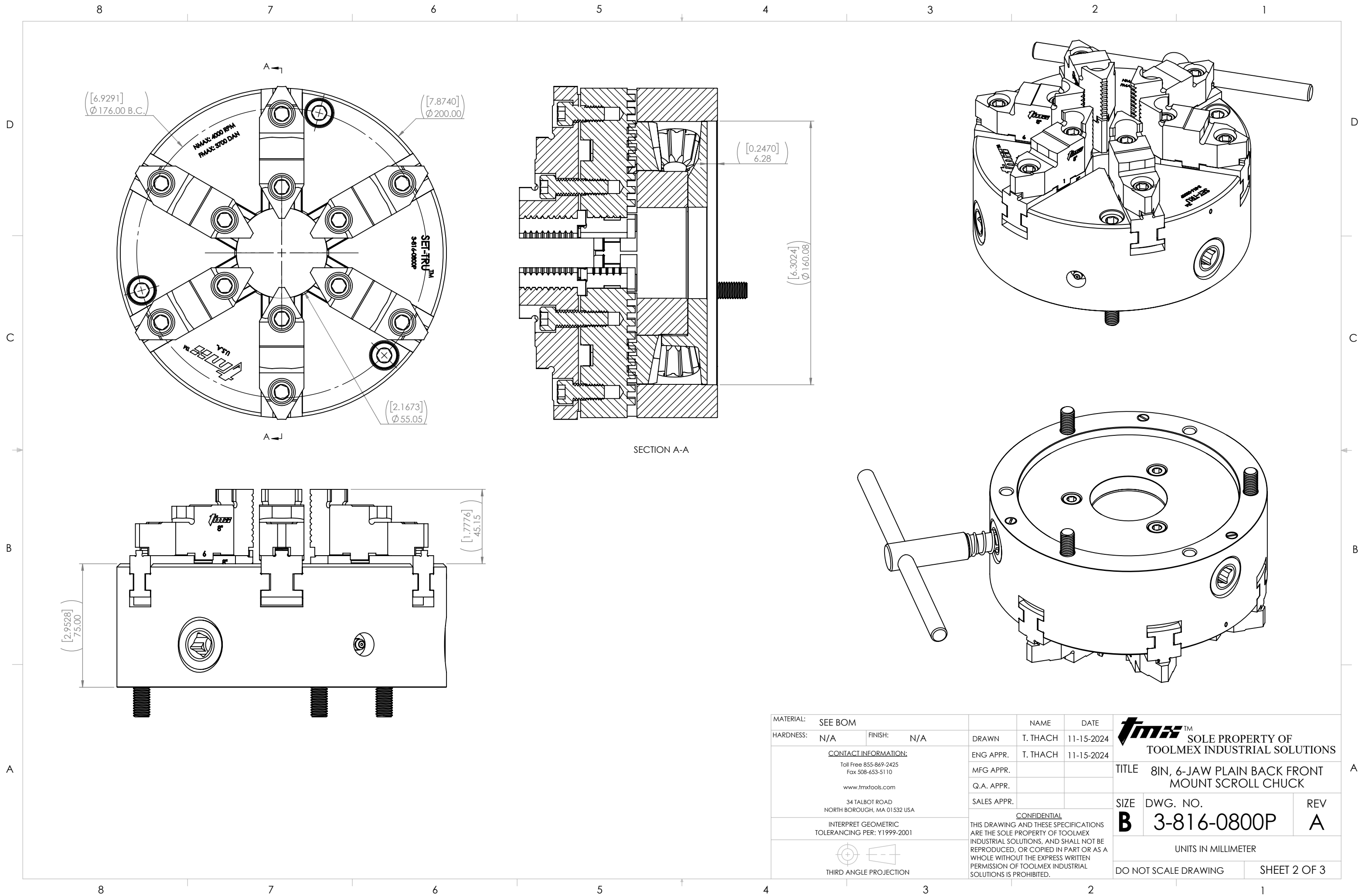
-CLICK ON LINK BELOW FOR REPLACEMENT PARTS-

WWW.TOOLMEX.COM



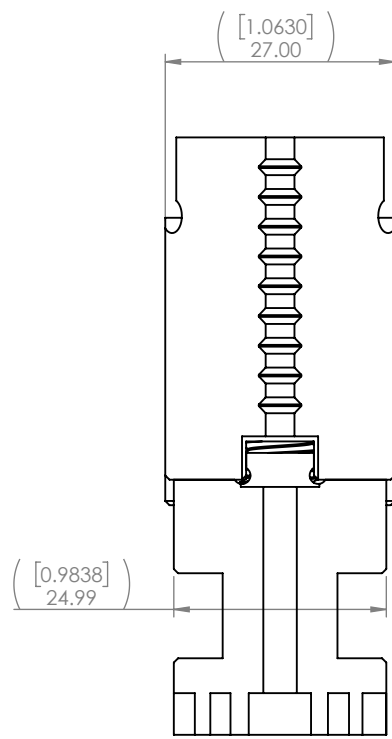
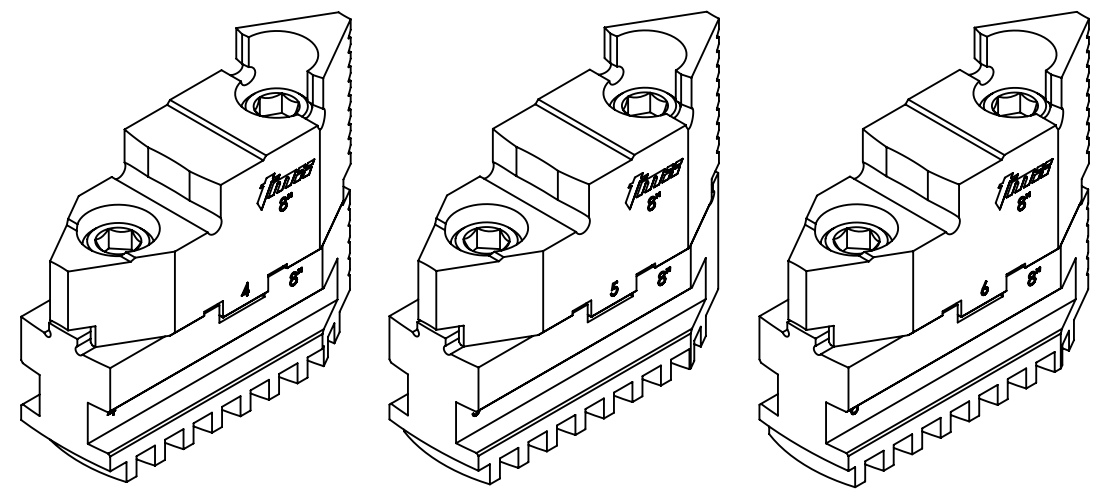
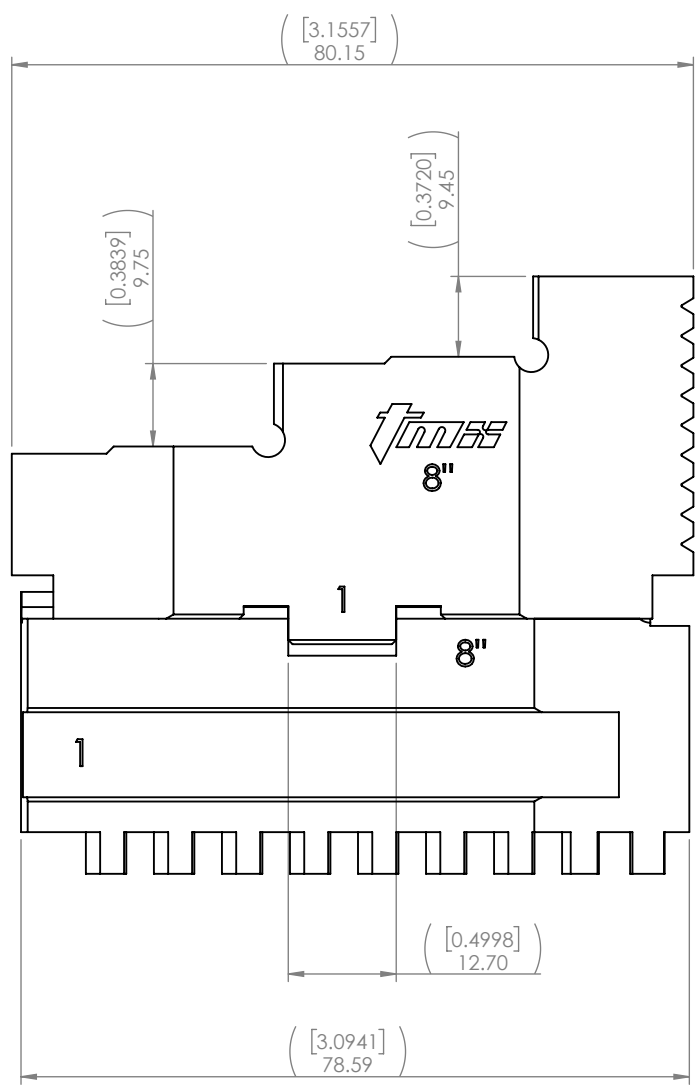
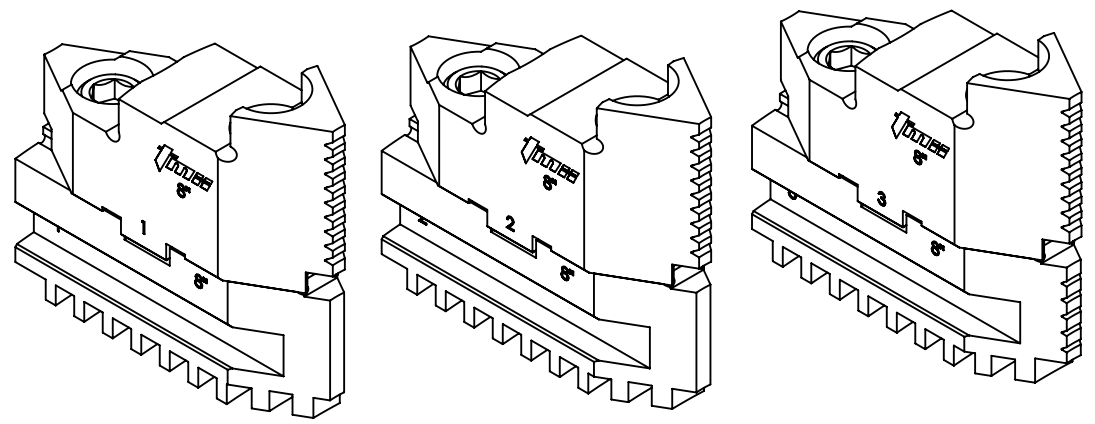
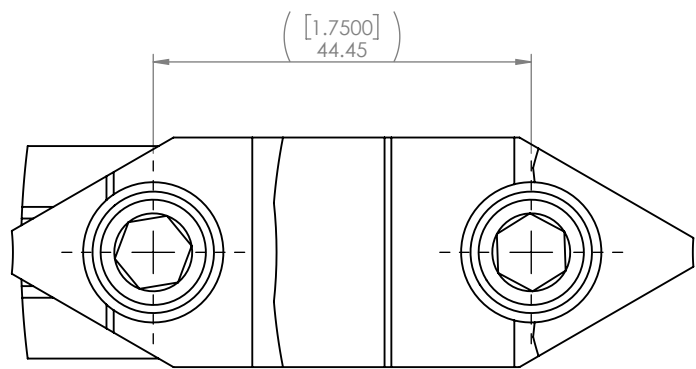
SELLING UNIT: EACH
 CHUCK TYPE: SCROLL
 CHUCK SIZE: 8IN
 BODY MATERIAL: FORGED STEEL
 NUMBER OF JAWS: 6
 JAW TYPE: 2 PIECES
 WEIGHT: 33 LBS
 MOUNT TYPE: FRONT
 GRIPPING FORCE: 3700 daN
 SPEED: 4000 RPM Max.

MATERIAL:	SEE BOM	NAME	T. THACH	DATE	11-15-2024
HARDNESS:	N/A	FINISH:	N/A	DRAWN	T. THACH
<u>CONTACT INFORMATION:</u> Toll Free 855-869-2425 Fax 508-653-5110 www.tmxtools.com 34 TALBOT ROAD NORTH BOROUGH, MA 01532 USA			ENG APPR.	T. THACH	11-15-2024
INTERPRET GEOMETRIC TOLERANCING PER: Y1999-2001			MFG APPR.		
 THIRD ANGLE PROJECTION			Q.A. APPR.		
CONFIDENTIAL THIS DRAWING AND THESE SPECIFICATIONS ARE THE SOLE PROPERTY OF TOOLMEX INDUSTRIAL SOLUTIONS, AND SHALL NOT BE REPRODUCED, OR COPIED IN PART OR AS A WHOLE WITHOUT THE EXPRESS WRITTEN PERMISSION OF TOOLMEX INDUSTRIAL SOLUTIONS IS PROHIBITED.			SALES APPR.		
TOOLMEX ™ SOLE PROPERTY OF TOOLMEX INDUSTRIAL SOLUTIONS		TITLE	8IN, 6-JAW PLAIN BACK FRONT MOUNT SCROLL CHUCK		
SIZE	DWG. NO.	REV			
B	3-816-0800P	A			
UNITS IN MILLIMETER					
DO NOT SCALE DRAWING			SHEET 1 OF 3		



MATERIAL:	SEE BOM	NAME	T. THACH	DATE	11-15-2024
HARDNESS:	N/A	FINISH:	N/A	DRAWN	T. THACH
CONTACT INFORMATION: Toll Free 855-869-2425 Fax 508-653-5110 www.tmxtools.com 34 TALBOT ROAD NORTH BOROUGH, MA 01532 USA			ENG APPR.	T. THACH	11-15-2024
			MFG APPR.		
			Q.A. APPR.		
			SALES APPR.		
INTERPRET GEOMETRIC TOLERANCING PER: Y1999-2001			CONFIDENTIAL THIS DRAWING AND THESE SPECIFICATIONS ARE THE SOLE PROPERTY OF TOOLMEX INDUSTRIAL SOLUTIONS, AND SHALL NOT BE REPRODUCED, OR COPIED IN PART OR AS A WHOLE WITHOUT THE EXPRESS WRITTEN PERMISSION OF TOOLMEX INDUSTRIAL SOLUTIONS IS PROHIBITED.		
THIRD ANGLE PROJECTION			TOOLMEX™ SOLE PROPERTY OF TOOLMEX INDUSTRIAL SOLUTIONS TITLE 8IN, 6-JAW PLAIN BACK FRONT MOUNT SCROLL CHUCK SIZE DWG. NO. B 3-816-0800P REV A UNITS IN MILLIMETER DO NOT SCALE DRAWING SHEET 2 OF 3		

8 7 6 5 4 3 2 1





-CLICK ON LINKS BELOW FOR REPLACEMENT PARTS-

3-883-608P, HARD TOP JAWS, 6IN, 6-JAW 6 PC SET

3-885-608P, HARD MASTER JAWS, 6IN, 6-JAW 6 PC SET

D
C
B
A

D
C
B
A

MATERIAL:	SEE BOM	NAME	T. THACH	DATE	11-15-2024	 TOOLMEX™ SOLE PROPERTY OF TOOLMEX INDUSTRIAL SOLUTIONS	
HARDNESS:	N/A	FINISH:	N/A	DRAWN	T. THACH		
<u>CONTACT INFORMATION:</u> Toll Free 855-869-2425 Fax 508-653-5110 www.tmxtools.com 34 TALBOT ROAD NORTH BOROUGH, MA 01532 USA				ENG APPR.	T. THACH		11-15-2024
				MFG APPR.			
INTERPRET GEOMETRIC TOLERANCING PER: Y1999-2001				Q.A. APPR.			
				SALES APPR.			
 THIRD ANGLE PROJECTION				CONFIDENTIAL THIS DRAWING AND THESE SPECIFICATIONS ARE THE SOLE PROPERTY OF TOOLMEX INDUSTRIAL SOLUTIONS, AND SHALL NOT BE REPRODUCED, OR COPIED IN PART OR AS A WHOLE WITHOUT THE EXPRESS WRITTEN PERMISSION OF TOOLMEX INDUSTRIAL SOLUTIONS IS PROHIBITED.		TITLE 8IN, 6-JAW PLAIN BACK FRONT MOUNT SCROLL CHUCK	
				SIZE B	DWG. NO. 3-816-0800P	REV A	
				UNITS IN MILLIMETER		DO NOT SCALE DRAWING	
						SHEET 3 OF 3	

8 7 6 5 4 3 2 1